

# Gallery Closets



How To Measure Guide

# lets get started!

Use the information below to figure out which ensemble will fit in your current space needing more organization and storage. Don't forget, if you don't see what you need amongst our extensive ensemble offerings, or we don't offer anything that will fit in your space, feel free to contact the design center for your FREE CUSTOMIZED DESIGN!

We ask that you fill out the entire form, including the questionnaire and sketch and fax or email it to our design center. 866-728-0649 customerservice@clkitchens.com

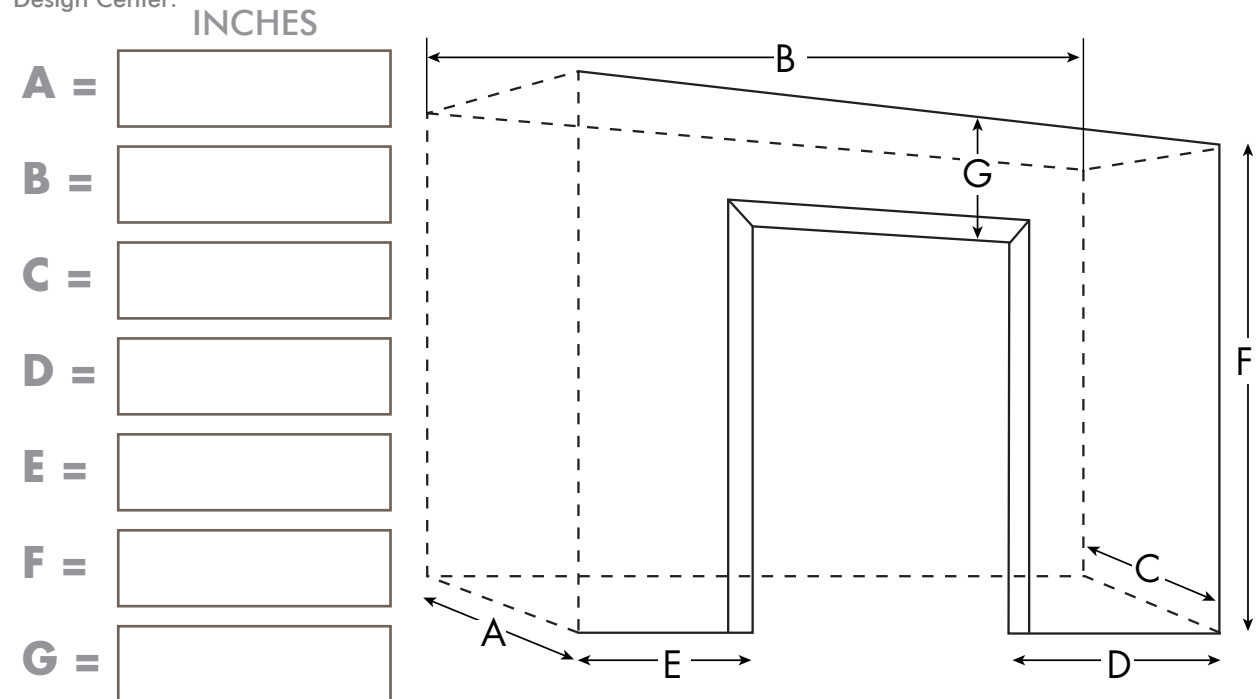
tools  
required

- Tape measure
- Pencil or pen
- Paper
- Someone to help (if needed)

measure  
the  
space

## DIAGRAM OF SAMPLE CLOSET

Measure (A) & (C) front-to-back depths, (B) the side-to-side width, (D) & (E) the return side-to-side width, (F) floor-to-ceiling height, and (G) doorway opening to ceiling height dimensions of your closet area or storage space. If you have an irregularly shaped closet, please provide a sketch with the dimensions on the following page to our Design Center.



# helpful hints:

This is a great time to take stock of your belongings and clothing and eliminate what you don't use or need. Remember: each item of clothing takes up 1.5" of space (on average).

## Consider Your Needs:

- How much hanging space do you need?
- How much shelf space do you need for items like sweaters, t-shirts, etc.?
- How much space for your shoes?
- Do you want drawers for items such as undergarments, socks, PJ's, etc.?

If you have a reach-in closet, what kind of doors do you have? Standard single door, sliding, bi-fold, French? What is the door opening measurement? This is important when determining where the placement of drawers and storage towers should be.

## Review existing designs on our website:

- Find what you need, place the order.
- Can't find it? Let us create a free custom design for you.

## DESIGN QUESTIONNAIRE

1. Is this a closet?  Yes  No (if no, go to question #6)
2. Type of closet:  Reach-In  Walk-In  Master Walk-In  Kids  Linen  Built-In
3. Type of closet doors:  French  Sliding  Regular  Bi-fold  None
4. Closet requirements:  Double hanging/short garments  Single hanging/long garments  
 Drawers  Shelves
5. Closet accessories:  Hamper Pullout  Slide-out (Shoe) Shelves  Slide-out Tie Rack Swivel  
 Slide-out Valet Rod  Slide-out Belt Rack Swivel  Slide-out Mirror Swivel  
 Doors
6. Other room applications:  Home Office  Media Center  Garage  
 Laundry  Pantry  Other \_\_\_\_\_

## SKETCH AREA

Scale Drawing Grid (small square = 6")

